



Acme Sanitary Ware Co. Ltd.

1/F, Acme Building, 22-28 Nanking Street, Kowloon, Hong Kong

Tel: 2388 7171 Fax: 2710 8012

Email: acme@acmesanitary.com.hk

Website: www.acmesanitary.com.hk

Since 1949

PROJECT		REF		REV	ITEM CODE	
LOCATION		DATE			PAGE	

SANITARY WARE SPECIFICATION SHEET

Item Descriptions	GROHE (Germany) "Atrio" thermostat shower mixer for 2 outlets with integrated shut off/diverter valve; "Euphoria Cosmopolitan 160" chrome plated shower head; American Standard (PRC) "Celia" Rain-click 3 functions hand spray with airnergize technology; Nominal flow rate 8.4 L/min & 6.6 l/min in WELS Grade 1 ; Registration No. SB 10-0059 & SB 17-0023; EMCA (Taiwan) Ø34 x 600mm long white ABS coated aluminium grip grab rail with shower holder; BS12:1978 & BS882:1973; capable of carrying a static loading test 150kg ; test report J17175; Antibacterial coating ; test report SN-00-233; complied with Barrier Free Access 2008
Model	28233000 + 28576000 (Shower head and arm) 24135003 (Thermostat mixer) 35600000 (Mounting box) FFAS9H11-000500BC0 (Hand shower) EM7041.019 + EM8013.040 (Shower set) 28388000 (Hose) 27057000 (Shower outlet elbow)
Material	Chrome Plated
Manufacturer	GROHE / EMCA / Americal Standard
Supplier	Acme Sanitary Ware Co. Ltd Mr. Eric Wong/ Mr. Wilson Hung
Contact Tel/Fax	(852) 2388-7171 / (852) 2710-8012
E-mail	acme@acmesanitary.com.hk
Website	www.acmesanitary.com.hk

Illustration/ Drawing

The illustration block contains the following elements:

- Product Photos:** A shower head, a hand shower, a shower set (mixer and shower head), a hose, and a shower outlet elbow.
- Technical Drawings:**
 - Shower head: Top view (Ø158), side view (height 85, 30° angle, Ø160), and detail of the shower head body (height 64, Ø50, G 1/2, 35-45, G 1/2).
 - Hand shower: Side view (height 281, Ø138), top view (width 600, 38, Ø34), and detail of the shower head body (height 43, 10, 146, 135, G 1/2, 75-105, Ø138, Ø142, 128, 8, 120, 125).
 - Shower set: Side view (height 85, 30° angle, Ø160) and detail of the shower head body (height 64, Ø50, G 1/2, 35-45, G 1/2).
 - Hose: Side view (length 600, 38, Ø34) and detail of the shower head body (height 43, 10, 146, 135, G 1/2, 75-105, Ø138, Ø142, 128, 8, 120, 125).
 - Shower outlet elbow: Side view (height 53, 10, G 1/2, 286) and detail of the shower head body (height 64, Ø50, G 1/2, 35-45, G 1/2).
- Labels:**
 - A green wheelchair icon indicating accessibility.
 - A blue Water Efficiency Label (WELS) with the text "用水效益標籤 Water Efficiency Label" and "WELS Grade 1".

Shower Head

Dynamic flow pressure (kPa)	50	150	250	350	500
Flow rate (l / min)	6.00	8.00	8.50	8.55	8.77

Hand Shower

Dynamic flow pressure (kPa)	50	150	250	350	500
Flow rate (l / min)	2.53	5.33	6.88	7.55	8.30

* All information of the above is for the reference only. No prior notice is made if any changes.



Acme Sanitary Ware Co. Ltd.

1/F, Acme Building, 22-28 Nanking Street, Kowloon, Hong Kong

Tel: 2388 7171 Fax: 2710 8012

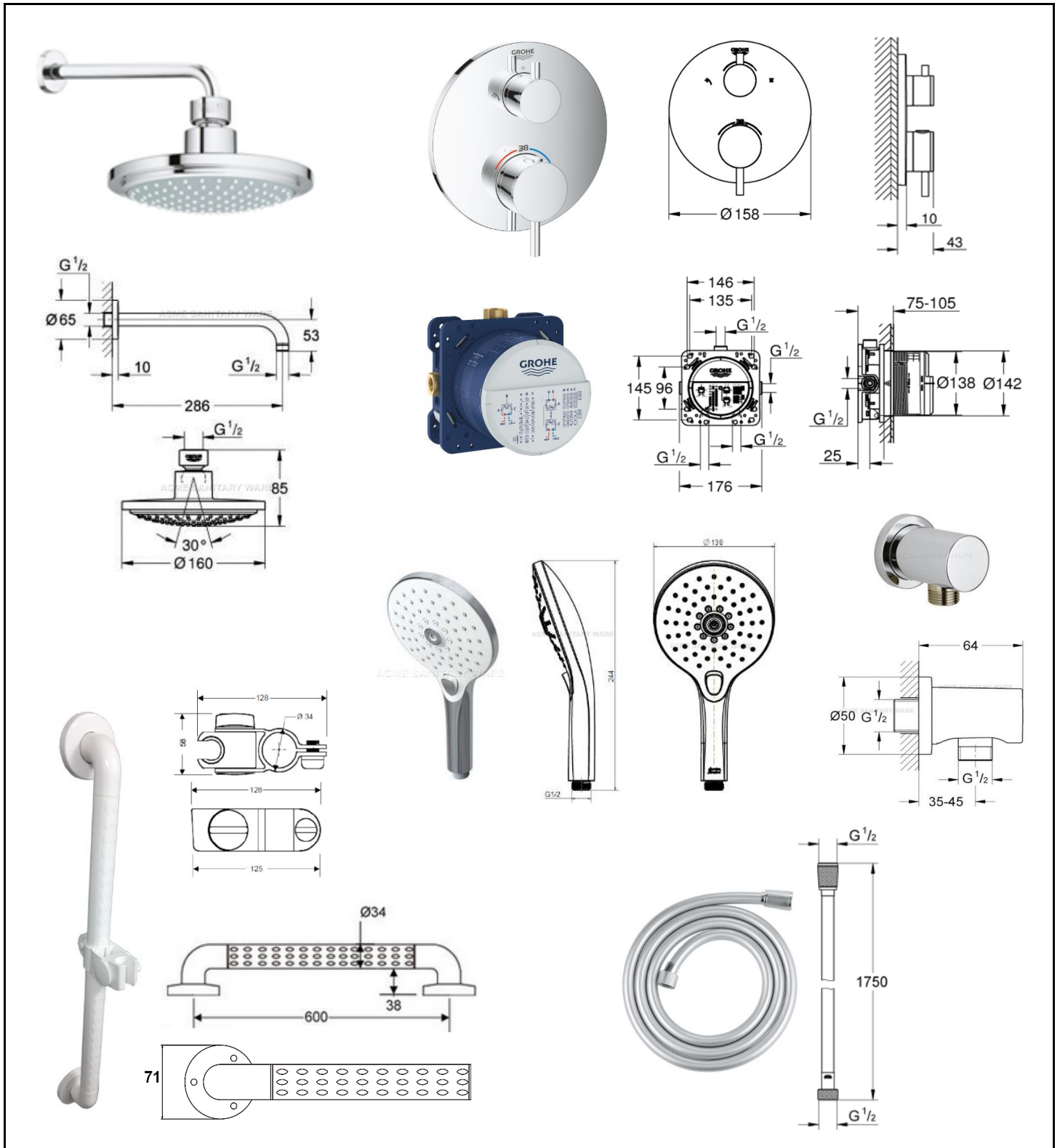
Email: acme@acmesanitary.com.hk

Website: www.acmesanitary.com.hk

Since 1949

PROJECT		REF		REV	ITEM CODE	
LOCATION		DATE			PAGE	

SANITARY WARE SPECIFICATION SHEET



* All information of the above is for the reference only. No prior notice is made if any changes.



Acme Sanitary Ware Co. Ltd.

1/F, Acme Building, 22-28 Nanking Street, Kowloon, Hong Kong
 Tel: 2388 7171 Fax: 2710 8012
 Email: acme@acmesanitary.com.hk
 Website: www.acmesanitary.com.hk


PROJECT		REF		REV	ITEM CODE	
LOCATION		DATE			PAGE	

SANITARY WARE SPECIFICATION SHEET


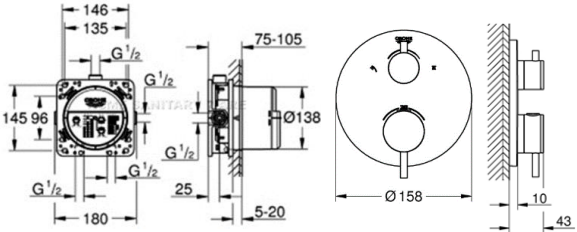
Thermostatic shower mixer for 2 outlets with integrated shut off/diverter valve

- set for final installation for
- GROHE Rapido SmartBox 35 600 000
- **GROHE TurboStat** compact cartridge with wax thermoelement
- **GROHE StarLight** chrome finish
- wall escutcheon with **GROHE QuickFix** (covered escutcheon- and shaft sealing, covered fixing)
- metal escutcheon, retroactively 6° adjustable
- printed head and hand shower symbol
- **GROHE SafeStop** safety button at 38°C (calibration required)
- **GROHE SafeStop Plus** optional temperature limiter at 43°C or 46°C included
- GROHE AquaDimmer, integrated shut off/diverter valve
- metal handles
- flow performance:
outlet B = 27 l/min
outlet C = 30 l/min
- **without roughing-in-set**

GROHE Rapido SmartBox
 Universal rough-in box, 1/2"
 3 outlets 1/2"
 2 inlets below, 1/2"
 installation depth 75-105 mm
 connection unit in DR brass
 pre-mounted flushing plug
 stable build-in box and protective cover
 fixing options for solid walls and dry cladding
 gasket
 without set for final installation



Illustration/ Drawing

- GROHE QuickFix®
- GROHE EcoJoy™
- max 38°
- SafeStop
- GROHE StarLight™
- GROHE TurboStat™

GROHE Euphoria Cosmopolitan 160
 Head shower 1 spray
 Rain
 Ball joint +/- 15° rotatable
 connection thread 1/2"
 GROHE EcoJoy 9.5 l/min flow limiter
 GROHE DreamSpray perfect spray pattern
 GROHE StarLight chrome finish
 SpeedClean anti-limescale system
 suitable for instantaneous heater


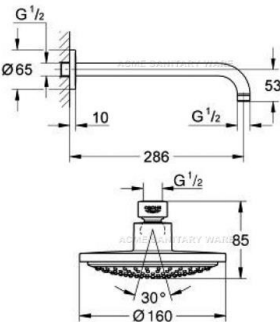
Rainshower
 Shower arm 286 mm
 connection thread 1/2"
 can be used for all Rainshower head
 showers except Rainshower Jumbo
 GROHE StarLight chrome finish






American Standard "Celia" Rain-click 3 functions hand spray
 with aimergize technology;
 nominated flow rate 6.6 l/min in WELS Grade 1
 ; Registration No. SB 17-0023



Rainshower® Shower outlet elbow, 1/2" male thread
 with round escutcheon
 Protected against backflow
GROHE StarLight® chrome finish




Silverflex Shower hose
 1750 mm
 1/2" x 1/2"
 plastic material with smooth surface
 flexible, easy cleaning
 kink proofing
 Rotation cone for Twistfree function
GROHE StarLight® chrome finish



* All information of the above is for the reference only. No prior notice is made if any changes.




自願參與用水效益標籤計劃 - 沐浴花灑
Voluntary Water Efficiency Labelling Scheme - Showers for Bathing



茲證明
This is to certify that

將下列花灑在本計劃內註冊：
has registered the following shower under this scheme :

牌子 / Brand	:	GROHE
型號 / Model	:	28233 000
原產地 / Country or Region Origin	:	Germany

在用水效益標籤上展示的標誌 <i>Symbolic Presentation on the Water Efficiency Label</i>	:		滴水點 <i>Water droplet(s)</i>
用水效益級別 <i>Water Efficiency Grade</i>	:	1	
耗水量 <i>Water Consumption</i>	:	8.4	公升/分鐘 <i>litres/minute</i>

簽發日期:
Date of Issue: 8 September 2010

 水務署
Water Supplies Department



水務署署長(錢柱森代行)
for Director of Water Supplies




白願參與用水效益標籤計劃 - 沐浴花灑
Voluntary Water Efficiency Labelling Scheme - Showers for Bathing



This is to certify that

將下列花灑在本計劃內註冊：
has registered the following shower under this scheme :

牌子 / Brand	:	American Standard
型號 / Model	:	FFAS9H11-000500BC0
原產地 / Country or Region Origin	:	China

在用水效益標籤上展示的標誌 <i>Symbolic Presentation on the Water Efficiency Label</i>	:	 滴水點 <i>Water droplet(s)</i>
用水效益級別 <i>Water Efficiency Grade</i>	:	1
耗水量 <i>Water Consumption</i>	:	6.6 公升/分鐘 <i>litres/minute</i>

簽發日期:
Date of Issue: 28 August 2017

 水務署
Water Supplies Department



水務署署長(周世威代行)
for Director of Water Supplies



水務署
Water Supplies Department

總部 Headquarters

香港灣仔告士打道七號入境事務大樓 48 樓

7 Gloucester Road, Wan Chai, Hong Kong



本署檔號
Our ref.
來函檔號
Your ref.

2020 T/J(1399/2020)

電話 :
Tel.
傳真 : 2824 0578
Fax.

4 January 2021



**Approval of "GROHE" Thermostatic Mixer
(General Acceptance No. C20210006)**

Your letters ref. WRC/2363 and C-WSD/0681 dated 28 October 2020 and 3 December 2020 respectively refer.

Having considered the test report ref. J25639 issued on 19 October 2020 by Nutek Systems (HK) Ltd., this Authority accepts that the fitting described below complies with, and its use when correctly installed does not contravene, the Waterworks Ordinance and Regulations.

Name of Manufacturer: Grohe AG

Country of Origin: Germany

Brand: Grohe

Details of Fitting: 1/2" Thermostatic mixer

Model: 35600000 + 24135XX3
(where the digits "XX" denote the code of colour)

Body Markings: 

Expiry Date: 6 October 2025



This Authority hereby permits the use of the above fitting in fresh water plumbing systems subject to full adherence to Waterworks installation requirements. In particular, you are required to draw your customers' attention to the following requirement-

“The cold water supply to the fitting shall be drawn from the same source that supplies the hot water apparatus so as to provide a balanced pressure and to obviate the risk of scalding in the event of a restriction or failure in the water supply.”

A condition of this acceptance is that the fitting to be installed shall be replicas of the sample as certified by the testing agent mentioned above and without modifications. This acceptance may be withdrawn at any time if the standard of the fitting installed fails to meet that of the approved sample or if the fitting is found to be unsuitable for use in fresh water plumbing systems.

This acceptance is only applicable to the main body of the fitting, unless other specified.

For the use of the fitting in any project, the General Acceptance Number of this letter must be quoted as a means of identification of acceptance of the fitting by this Authority.

Should you have any enquiries, please contact our Engineer Mr. Terry KUNG at tel. no. 3583 4086.

Yours faithfully,



(CHAN Chung-kun)

for Director of Water Supplies

Encl.

c.c. WSD 3321/1/82] - without catalogue
ME/MC] - with soft copy only



NUTEK SYSTEMS, LTD.

Unit B, 13/F., Block A, Universal Ind. Ctr., 23-25 Shan Mei Street, Fo Tan, Shatin, N.T., Hong Kong.
Tel: (852) 2605 5736 Fax: (852) 2692 0798 E-mail: nutek@nuteksystems.com

TITLE : Testing of grab bar
OUR REFERENCE : J 17175
DESCRIPTION OF SAMPLE : Ø34mm x 600mm Grab bar with white ABS coating
SAMPLE SUBMITTED BY : Acme Sanitary Ware Co. Ltd.
1/F., Acme Building, 22 Nanking Street, Kowloon, Hong Kong
BRAND : EMCA
MODEL : EM7041.019
COUNTRY OF ORIGIN : Taiwan
TEST REQUIRED : Loading test
PERIOD OF TESTS : 6th August 2013

RESULTS : - (apply only to the sample tested)

LOAD TEST

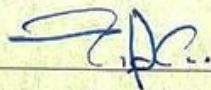
The grab rail sample was installed onto a concrete wall made of concrete mix grade 30D10 (cement to BS12: 1978 and Aggregate to BS882: 1973).

A test load was applied vertically to the mid point of the rail which was then examined for any signs of damage.

	Test load (kg)	Duration (minute)	Visual damage (e.g. breakage, deformation, etc.)	Remark
Sample	150	5	No visual damage	Pass

Date : 26 Nov 2013 Authorized signature : _____

Nutek Systems is a testing agency,
approved by the Water Authority and
Government Supplies Department, for
testing water supply fittings.


Sunny K.S. Wong

(Director)



REPORT OF ANTIBACTERIAL TEST REPORT

Customer :
Description of the examined item : Toilet parts
Reporting date : May 12, 2000
Report No. : SN-00-233
Title of the Test : Film Sealing method
Category of Bacteria : Escherichia coli
Staphylococcus flavus

SINANEN ZEOMIC CO., LTD.
TOKYO, JAPAN
BIOCIDE BUSINESS DIVISION





REPORT OF TEST INSPECTION

June 17, 2000

It is certified that the test results from this institute assigned on June 3, 2000 are as the followings:

The assigned organization by Health Department
 Shen-Wei No. 650 of Health Department
 Corporate Body: Kyoto Microbiology Institute
 No. 16-2 Yamakubo Machi, Yamashina Ku, Kyoto City, Japan
 TEL: 075-593-3320 FAX:075-501-7110
 Inspector: Matsuura

1. Description of the examined item : Antibacterial items
2. Testing purpose : Test on antibacterial strength evaluation
3. Test method : Film sealing method
 Drop 1/500 common bacteria culture medium to make bacteria fluid on top of the testing item according to the "Film Sealing method of antibacterial items technical agreement association". Store at 35°C upon sealed with film. Test and find out the bacteria-generating amount on the testing chip of the bacteria fluid.
4. Strain used : *Escherichia coli* IFO-3972
Staphylococcus aureus IFO-12732
5. Culture medium : Standard fluid culture medium (VGH Research).
6. Test results :

Description of Bacteria	Changes of bacteria through time				
	Initial 0 hr	24hr-1	24hr-2	24hr-3	Average
<i>E.coli</i>	4.6×10^5	6.0×10^2	3.4×10^3	6.7×10^2	1.6×10^3
<i>St. aureus</i>	4.2×10^5	1.2×10^3	1.0×10^2	1.6×10^2	4.9×10^2

Comparison test results

Description of Bacteria	Changes of bacteria through time				
	Initial 0 hr	24hr-1	24hr-2	24hr-3	Average
<i>E.coli</i>	4.6×10^5	2.7×10^7	2.8×10^7	2.4×10^7	2.6×10^7
<i>St. aureus</i>	4.2×10^5	1.9×10^5	2.1×10^5	1.8×10^5	1.9×10^5

< 10 : Did not find out

Unit : CFU/sheet